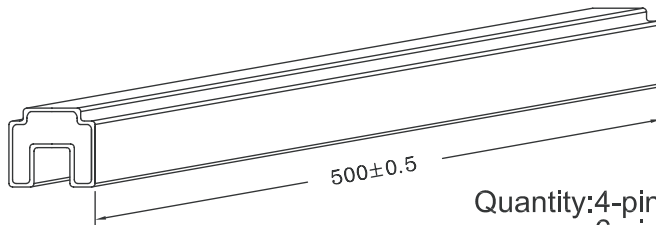
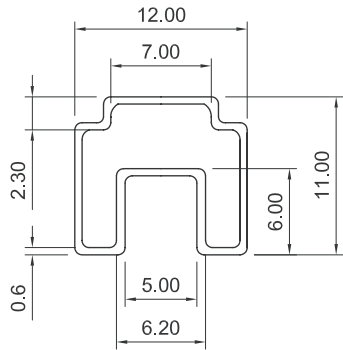


cosmo High Voltage, Solid State Relay-MOSFET Output Packaging Information

(1) 4,6,8-pin DIP

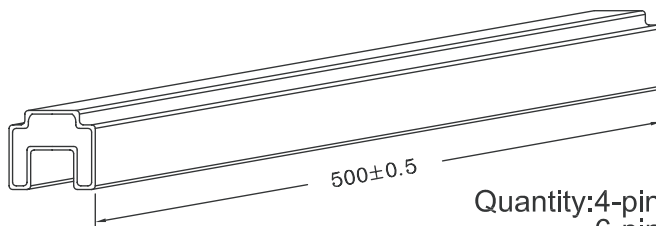
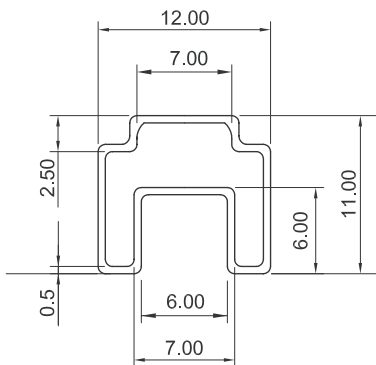
unit:mm



Quantity: 4-pin: 95 pcs
6-pin: 65 pcs
8-pin: 48 pcs

(2) 4,6,8-pin SMD

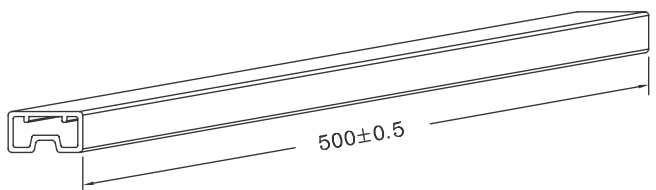
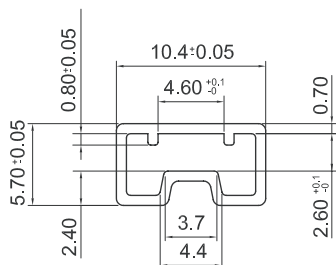
unit:mm



Quantity: 4-pin: 95 pcs
6-pin: 65 pcs
8-pin: 48 pcs

(3) 4,6,8-pin SOP

unit:mm

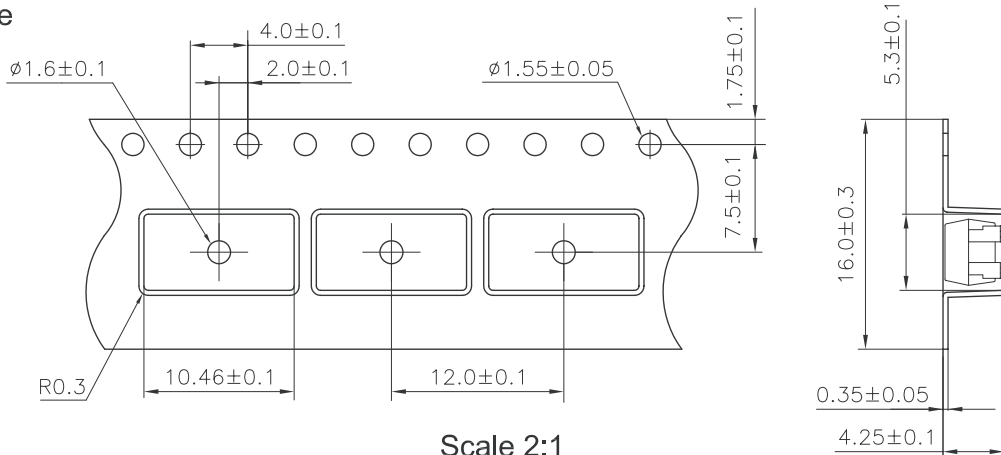


Quantity: 4-pin: 100 pcs
6-pin: 65 pcs
8-pin: 48 pcs

(4)4-pin SMD Carrier Tape & Reel

Unit:mm

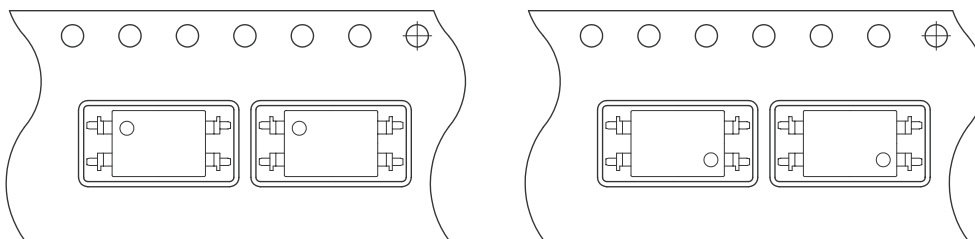
Tape



Scale 2:1

Material : PS

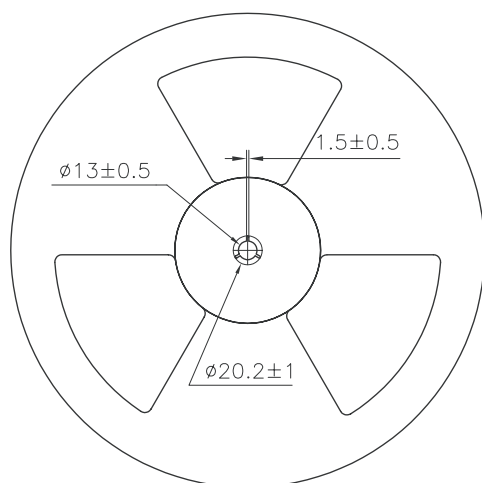
Direction



TL

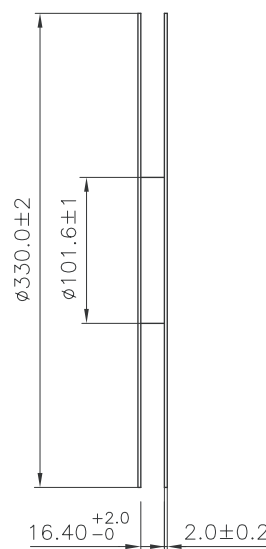
TR

Reel



Scale 1:5

Material : PVC



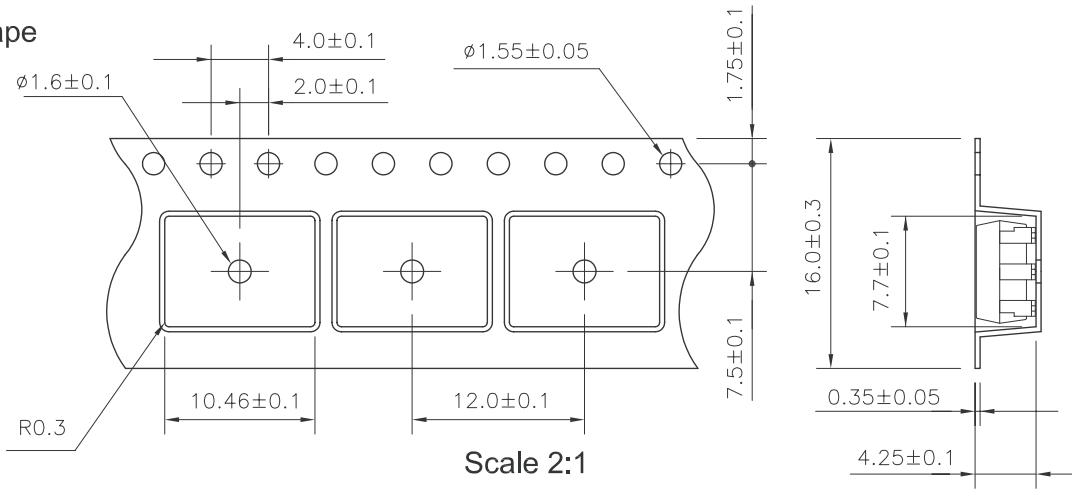
Packing:1000pcs/reel

cosmo High Voltage, Solid State Relay-Mosfet Output Packaging Information

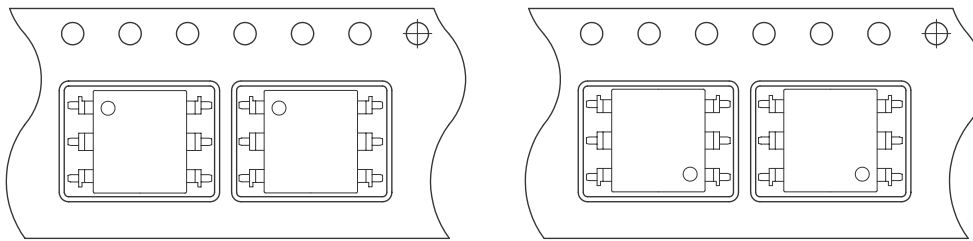
(5)6-pin SMD Carrier Tape & Reel

Unit:mm

Tape



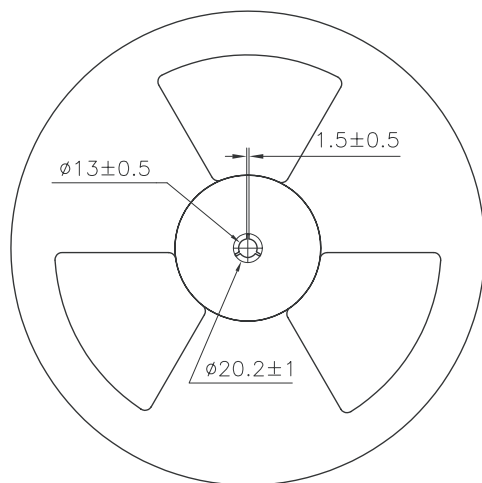
Direction



TL

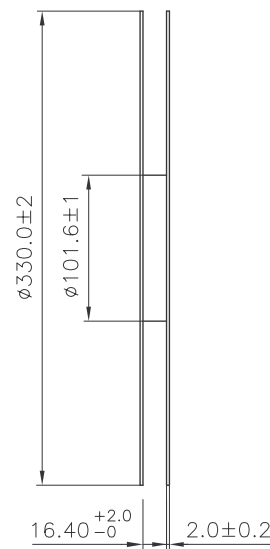
TR

Reel



Scale 1:5

Material : PVC

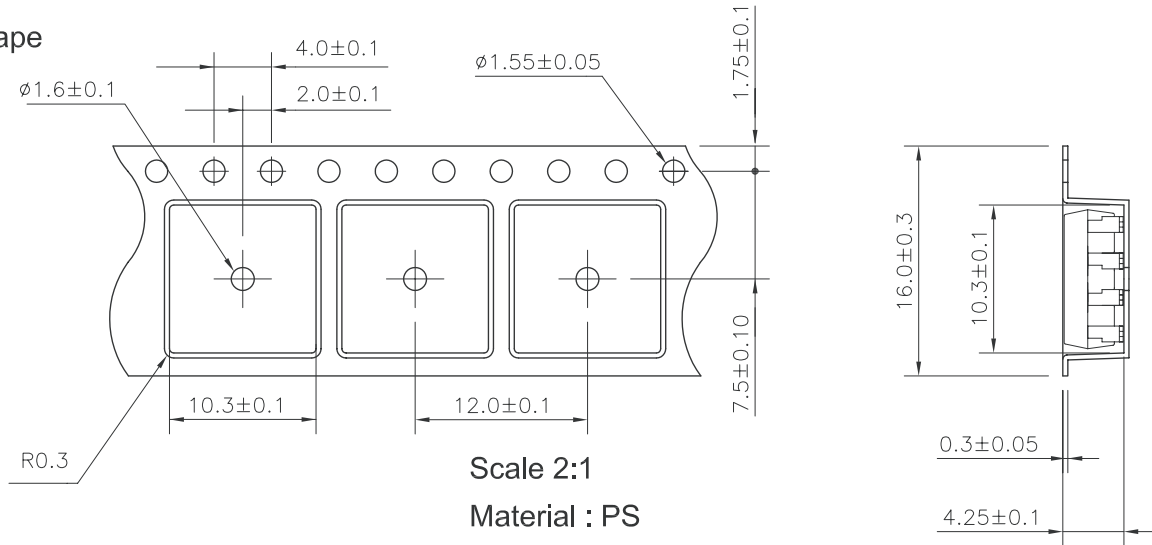


Packing: 1000pcs/reel

(6)8-pin SMD Carrier Tape & Reel

Unit:mm

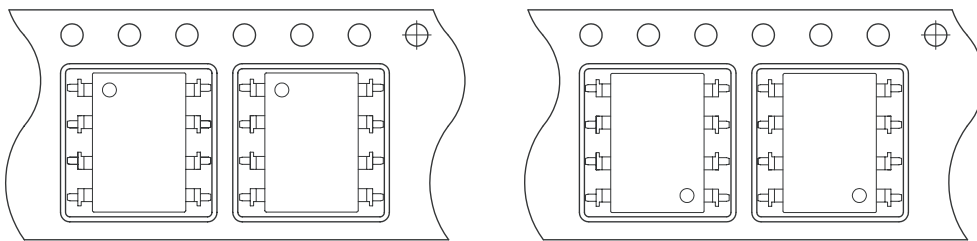
Tape



Scale 2:1

Material : PS

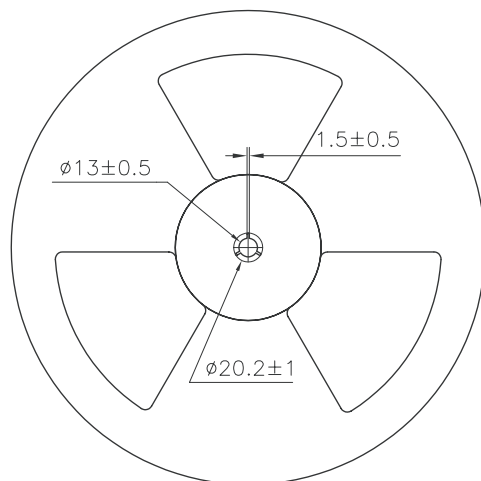
Direction



TL

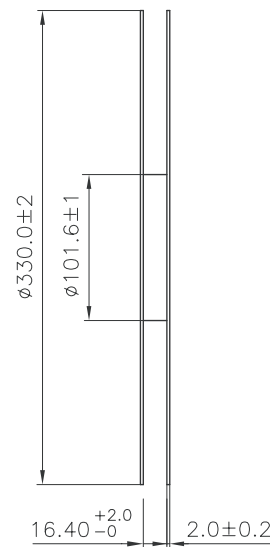
TR

Reel



Scale 1:5

Material : PVC

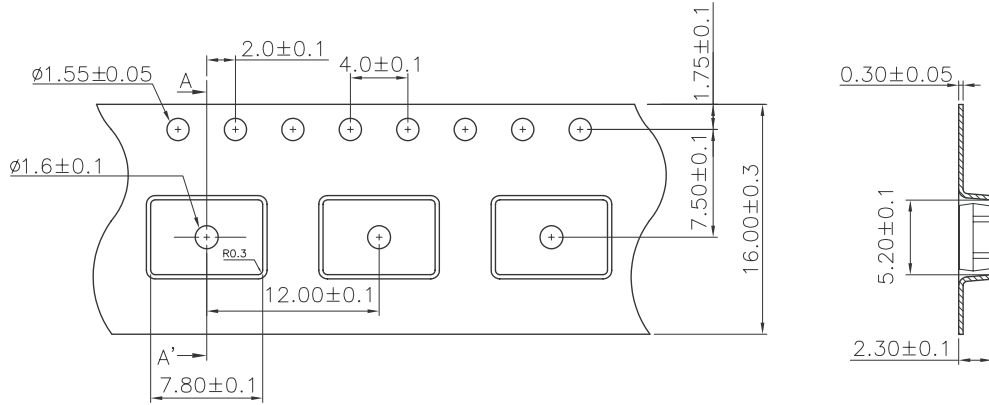


Packing:1000pcs/reel

(7)4-pin SOP Carrier Tape & Reel

Unit:mm

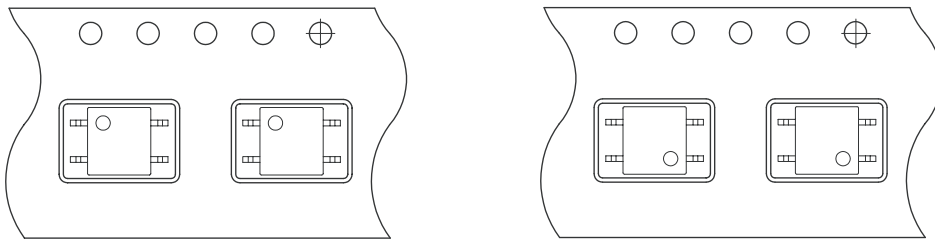
Tape



Scale 2:1

Material : PS

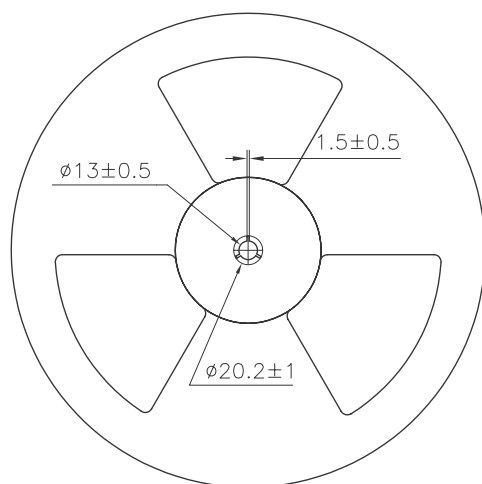
Direction



TL

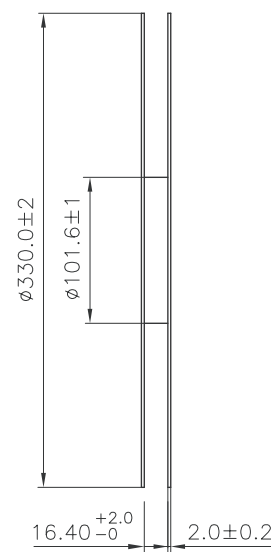
TR

Reel



Scale 1:5

Material : PVC

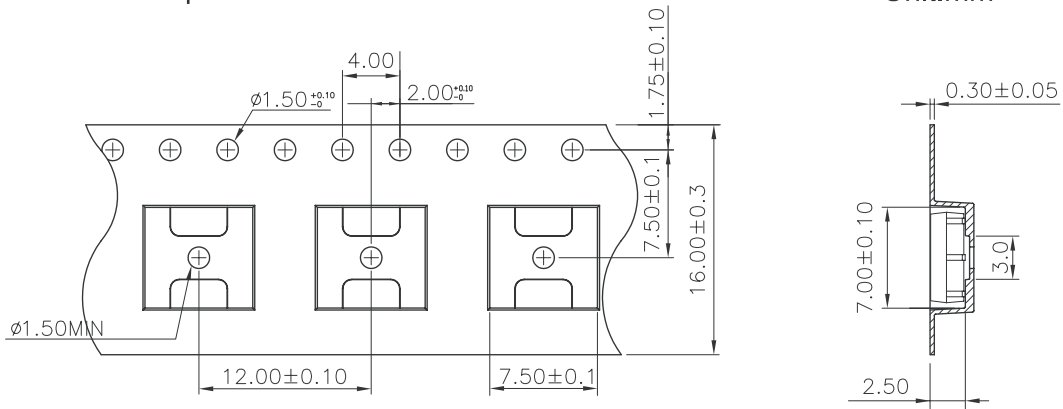


Packing:2000pcs/reel

(8)6-pin SOP Carrier Tape & Reel

Unit:mm

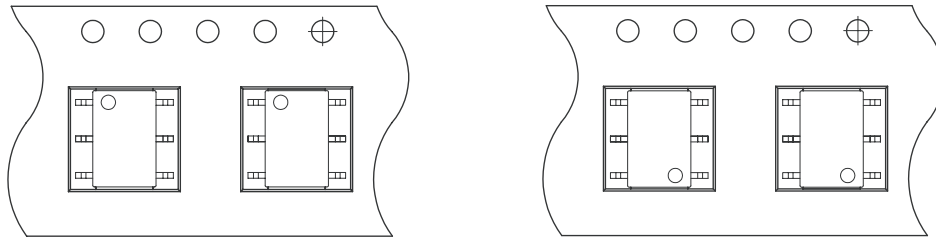
Tape



Scale 2:1

Material : PS

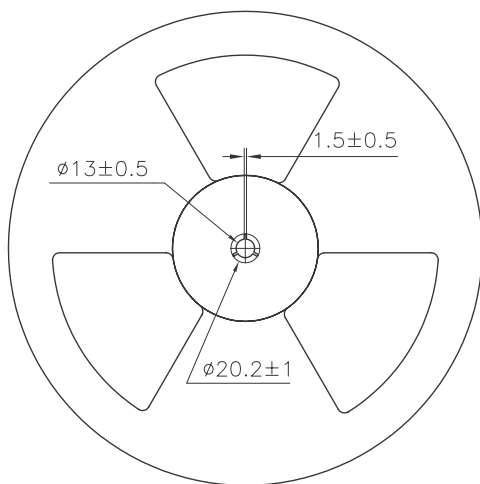
Direction



Reel

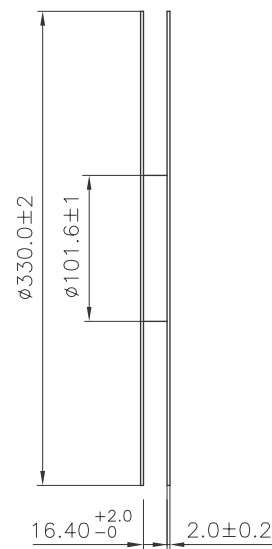
TL

TR



Scale 1:5

Material : PVC

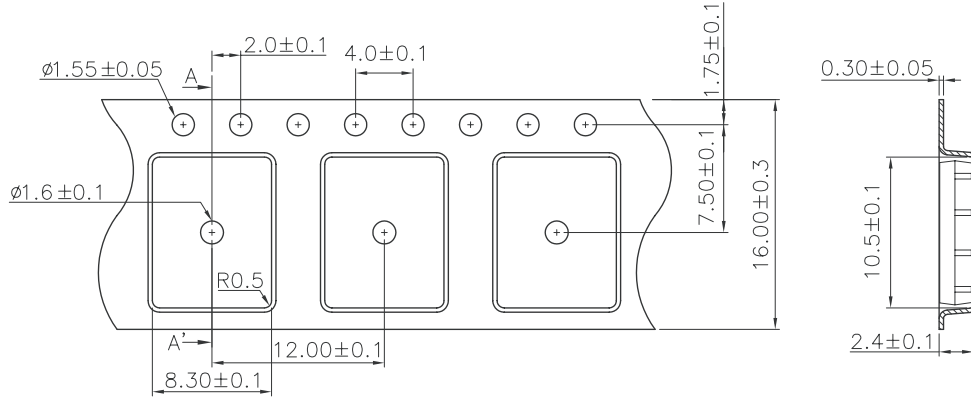


Packing:2000pcs/reel

(9)8-pin SOP Carrier Tape & Reel

Unit:mm

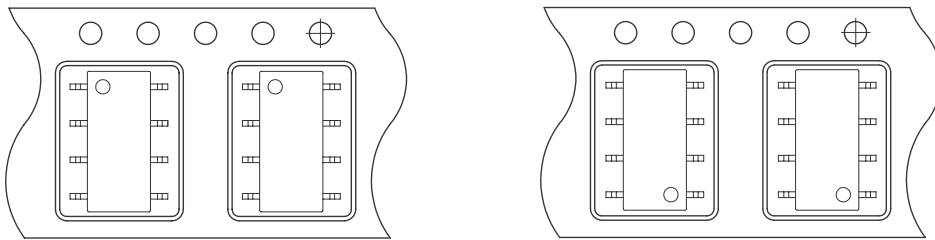
Tape



Scale 2:1

Material : PS

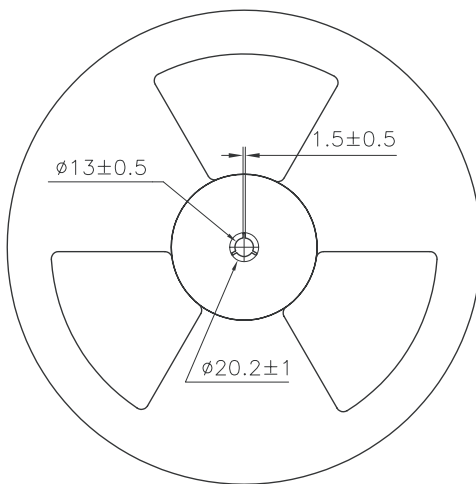
Direction



TL

TR

Reel



Scale 1:5

Material : PVC

Packing:2000pcs/reel