



2004

New Product Info.



COSMO Optic Electronic Component

Photo Triac

冠西電子企業股份有限公司
COSMO Electronics Corporation.

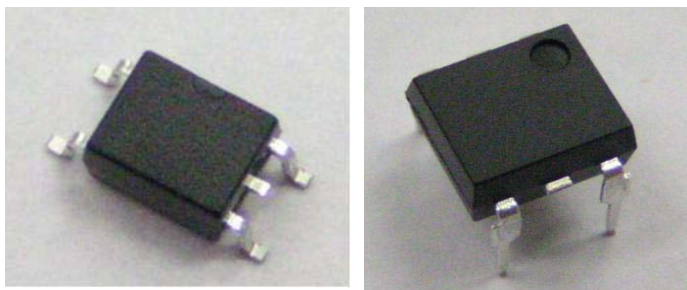
WWW.COSMO-IC.COM

2004 .06

Photo Triac KMOC & KTLP Series

Released in Q3 2004

KMOC & KTLP Series is COSMO photo triac with the function of 400V 600V 800V VDRM zero crossing & non-zero crossing series products which is suitable for applying in SSR, SPS...etc.



Product Features

- ◆ Zero crossing and Non-zero are available in a variety of packages.
- ◆ High isolation voltage
5000Vrms for DIP package devices
1500Vrms for mini flat package devices
- ◆ High Off-state Output Terminal voltage
VDRM=400V,600V,800V
- ◆ Trigger current
 $I_{FT}=5\text{mA}, 10\text{mA}, 15\text{mA}$ for DIP package devices
 $I_{FT}=5\text{mA}, 7\text{mA}, 10\text{mA}$ for mini flat package devices
- ◆ On-state current
 $I_{TM}=300\text{mA}$ for DIP package devices
 $I_{TM}=70\text{mA}$ for mini flat package devices

Application

- Solenoid/valve Controls
- Static Power Switches
- AC Motor Drives
- Temperature Controls
- AC Motor Starters
- E.M. Contactors
- Solid State Relay
- Lighting Controls

Photo Triac KMOC & KTLP Series

Electrical characteristics (Ta=25°C)

Model Number	Internal Connection Diagram	Absolute Maximum Ratings			Electro-optical Characteristics					
		IF (mA)	VDRM (VPEAK)	Viso (Vrms)	VF max (V)	IDRM max (nA)	IFT max (mA)	VTM Typ (V)	VINH max (V)	dv/dt min
KMOC3021		50	400	5000	1.5	500	15	1.6	-	600
KMOC3022							10			
KMOC3023							5			
KMOC3041		50	400	5000	1.5	500	15	1.6	20	600
KMOC3042							10			
KMOC3043							5			
KMOC3051		50	600	5000	1.5	500	15	1.6	-	600
KMOC3052							10			
KMOC3053							5			
KMOC3061		50	600	5000	1.5	500	15	1.6	20	600
KMOC3062							10			
KMOC3063							5			
KMOC3081		50	800	5000	1.5	500	15	1.6	20	600
KMOC3082							10			
KMOC3083							5			

Photo Triac KMOC & KTLP Series

Model Number	Internal Connection Diagram	Absolute Maximum Ratings			Electro-optical Characteristics					
		IF (mA)	VDRM (VPEAK)	Viso (Vrms)	VF max (V)	IDRM max (nA)	IFT max (mA)	VTM Typ (V)	VINH max (V)	dv/dt min
KTLP160G		50	400	2500	1.4	1000	10	1.6	-	600
KTLP161G		50	400	2500	1.4	1000	10	1.6	20	600
KTLP160J		50	600	2500	1.4	1000	10	1.6	-	600
KTLP161J		50	600	2500	1.4	1000	10	1.6	20	600
KTLP165J		50	600	2500	1.4	1000	10	1.6	-	600
KTLP166J		50	600	2500	1.4	1000	10	1.6	50	600
KTLP168J		50	600	2500	1.4	1000	10	1.6	50	600
KTLP260J		50	600	3000	1.4	1000	10	1.6	-	600

Package dimensions

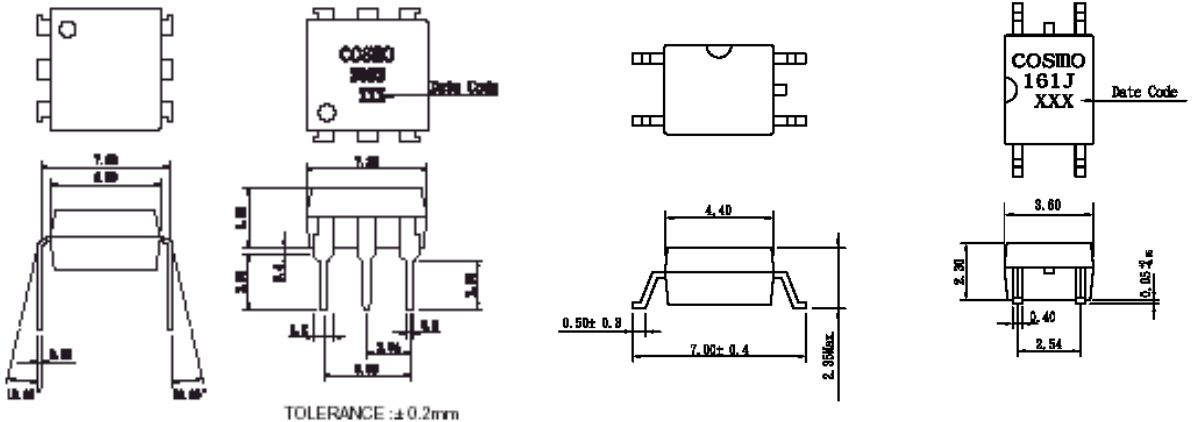
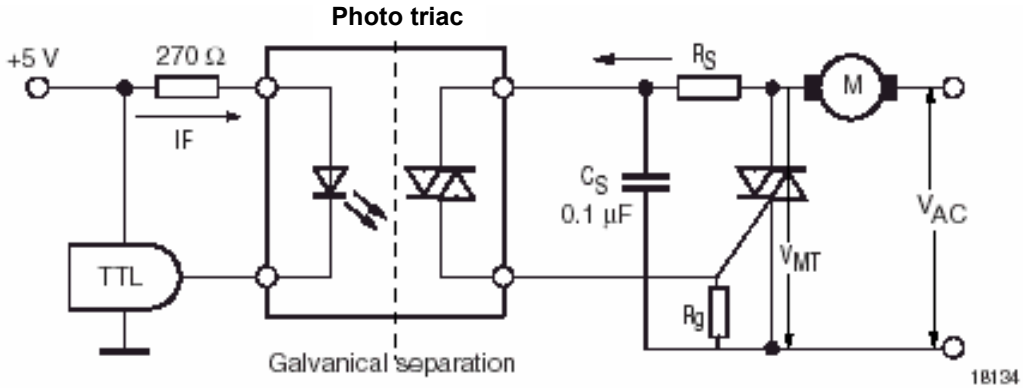


Photo Triac KMOC & KTLP Series



Application Example

Triac Driver



Microwave Oven with Grill

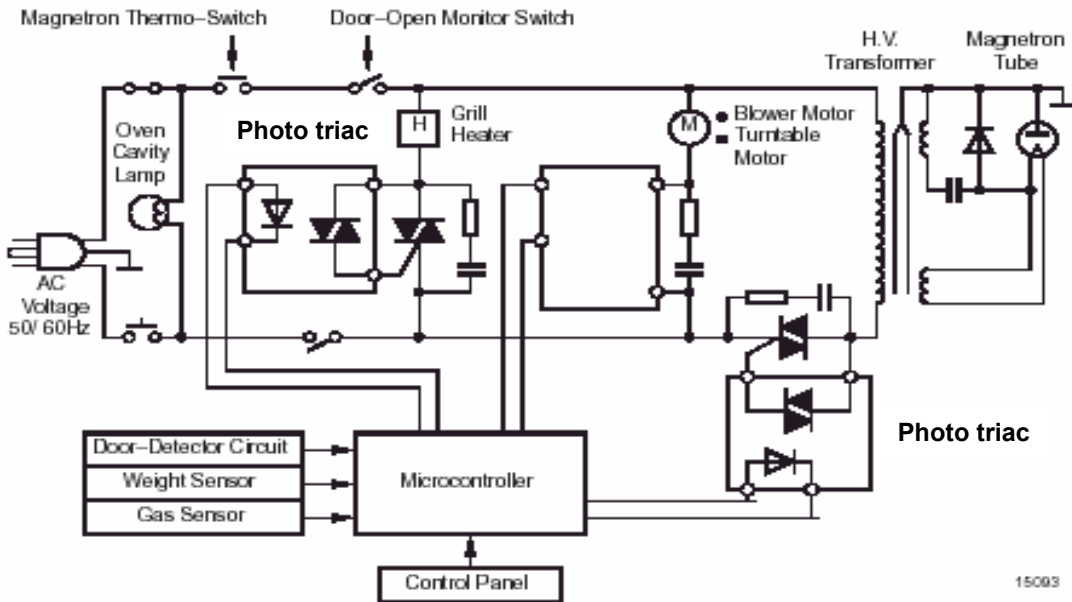
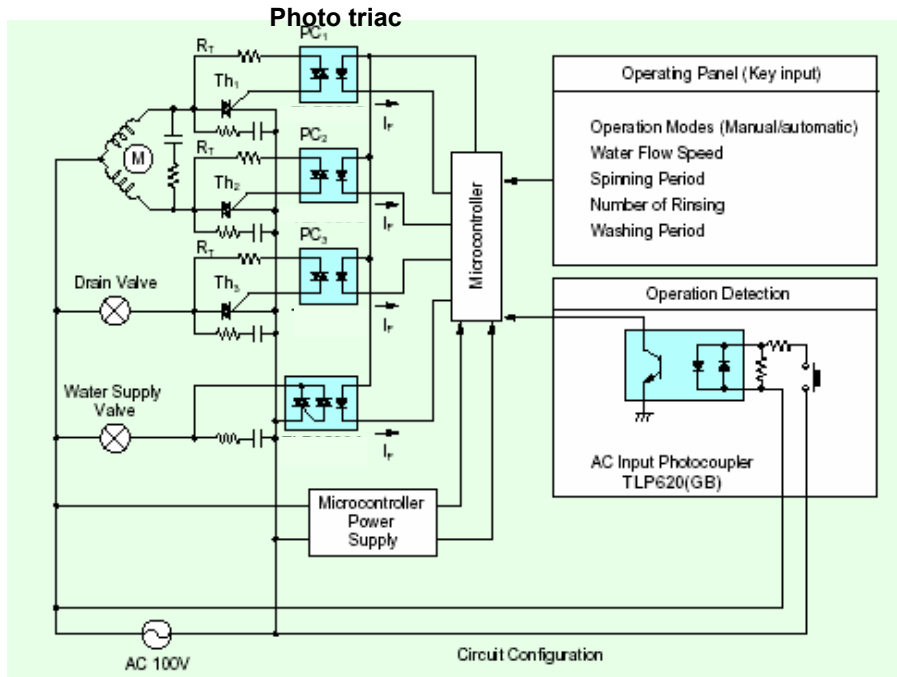


Photo Triac KMOC & KTLP Series

Washing Machine



Fan Heater

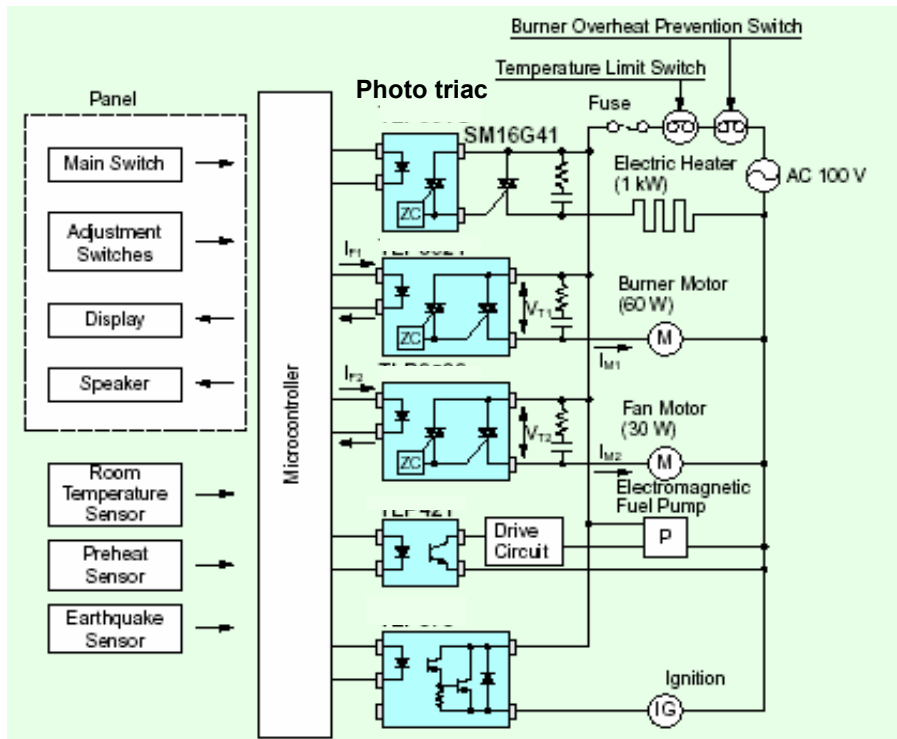
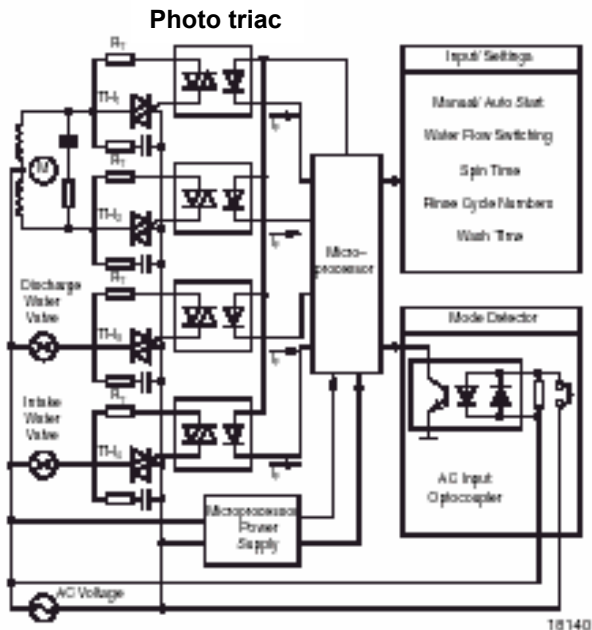


Photo Triac KMOC & KTLP Series

Consumer Application



Cross Reference

COSMO	TOSHIBA	SHARP	FAIRCHILD	VISHAY	NAIS
KMOC302X	TLP560G TLP302X(S)	S11MD9T S11MD7T	MOC302X	IL440-X	
KMOC304X	TLP561G TLP304X(S)		MOC304X		
KMOC305X	TLP560J TLP305X(S)		MOC305X	IL440-X	APT1222
KMOC306X	TLP561J TLP306X(S)	S21MD41 S21ME4 S21MD8T	MOC306X	IL410	APT1212
KMOC308X		S21ME8	MOC308X	IL4108	
KTLP160	TLP160				
KTLP161	TLP161	S2S4			



冠西電子企業股份有限公司
COSMO Electronics Corporation.

www.cosmo-ic.com

COSMO Electronics Crop.

8F, No.258, Lian Cheng Rd., Chung-Ho, Taipei
Hsien 235 Taiwan, R.O.C.
Tel:886-2-8227-1877 Fax:886-2-8227-1855
E-mail:sales@cosmo-ic.com
<http://www/cosmo-ic.com>

COSMO Electronics (Hong Kong) International

Corp. Ltd. Shenzhen Representative
Room 1506, Water Bldg, No.1019 Shennan Zhong Rd.,
Shenzhen. P.R. China
Tel: 86-755-8213-2513 Fax: 86-755-8213-7082

❖ The information contained in this document is intent to be a general product description only and is subject to changed without notice. Please contact cosmo in order to obtain the latest device data sheets before using any cosmo devices. Cosmo does not assume any responsibility for use of any circuitry described ; no circuit patent licenses are implied .This publication is the property of cosmo. No part of this publication may be reproduced or copied in any form or by any means , or transferred to any third party without the prior written consent of cosmo Electronics Corporation.

❖ Please note : The devices listed in this document are designed for general applications only in electronic equipment . No devices shall be deployed which require higher level of reliability such as medical and other life support equipments; space application ; telecommunication equipment (trunk lines) and nuclear power control equipment unless it received prior written approval from cosmo. cosmo takes no responsibility for damages arise from the improper usage of our device . Should you require more information on the above notice, please contact cosmo