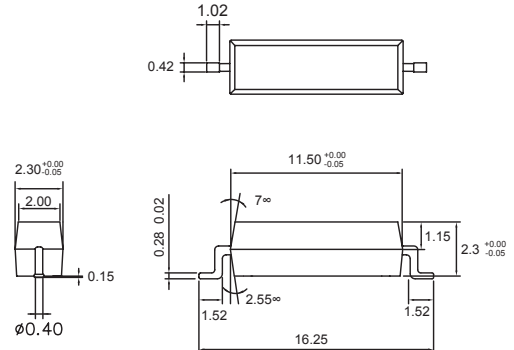


Outside Dimension:Unit (mm)



UNIT=mm

Schematic:Top View



Absolute Maximum Ratings

(Ta=25°C)

Specifications	Rating	Unit
Contact Rating	1.0	VA (max)
Switching voltage	24	VDC (max)
Switching current	0.1	A (max)
Carry current	0.3	A (max)
Breakdown voltage (open contact)	150	VDC (min)
Contact resistance (initial)	150	m (max)
Operate time (incl. bounce)	1.0	ms (max)
Release time	0.5	ms (max)
Insulation resistance	10 ⁹	(max)
Life expectancy (5 VDC, 10mA)	3x10 ⁷	
Totel pull-in sensitivity	10-40	AT (max)
Operating temp	-40 to 125	°C