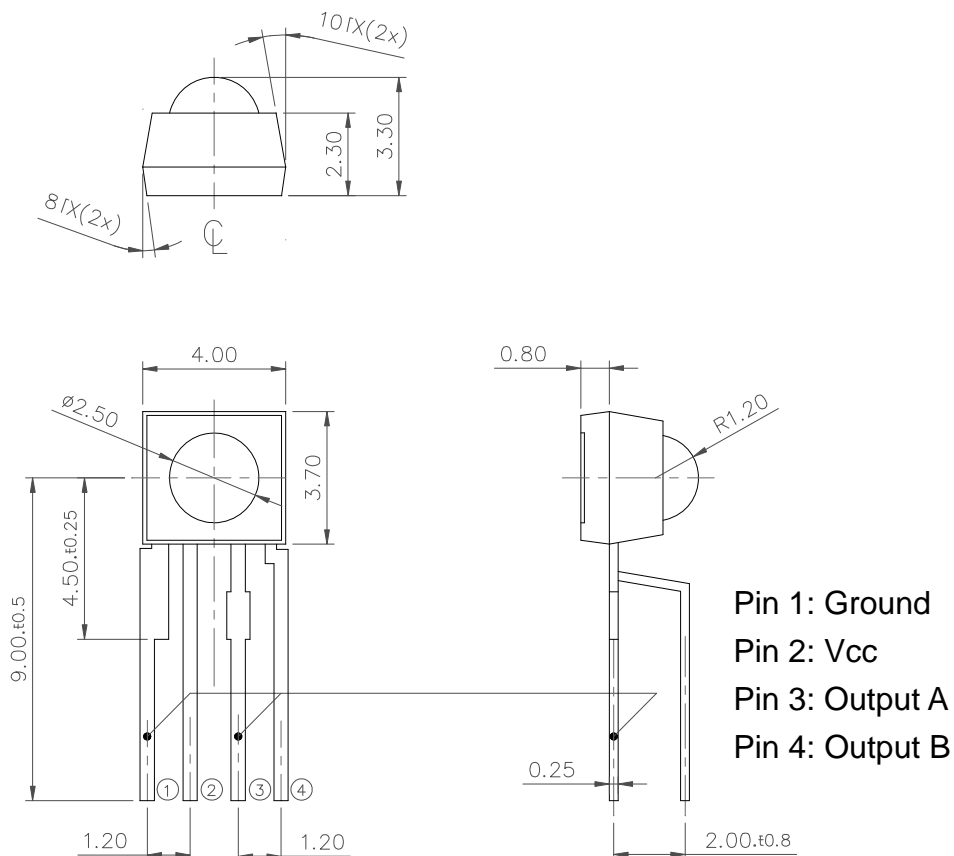


PRODUCT SPECIFICATION

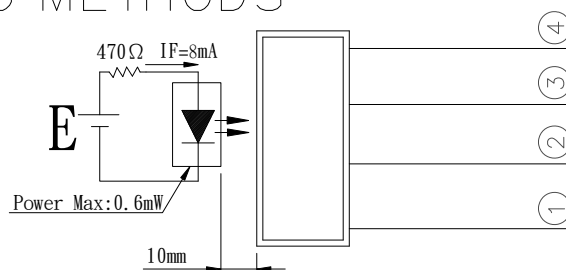
DATE:03/08/2006

cosmo ELECTRONICS CORPORATION	Rambo IC : PS201L-2V-1	NO. 60S01002 SHEET 1 OF 3	VER. 2

Package dimensions :



USING METHODS



Notes

- 1) All dimensions are in millimeters.
- 2) Tolerance is $\pm 0.25\text{mm}$ unless otherwise note.
- 3) Protruded resin under flange 0.5 mm Max.
- 4) Load spacing measured where the leads emerge from the package.

PRODUCT SPECIFICATION

DATE:03/08/2006

cosmo ELECTRONICS CORPORATION	Rambo IC :	NO. 60S01002	VER. 2
	PS201L-2V-1	SHEET 2 OF 3	

Absolute maximum ratings :

(Ta=25°C, unless otherwise specified)

Characteristics	Symbol	Rating	Unit
Supply voltage	Vcc	-0.2 ~ 7	V
Other voltage		-0.3 ~ Vcc +0.3	V
Operating temperature	Topr	-20 ~ +75	°C
Storage temperature	Tstr	-20 ~ +80	°C
Soldering temperature 10 Second	Tsol	260	°C

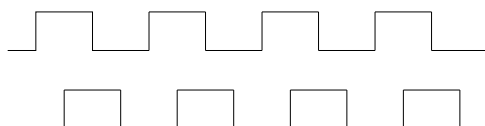
Optical-electrical characteristics :

(Ta=25°C, unless otherwise specified)

Parameter	Test Conditions	Symbol	Min.	Typ.	Max.	Unit
Supply voltage		Vcc	2.0	5	5.5	V
Supply current	Vcc=5.5V all output low	Icc		0.1	3	μA
Output current	Vcc=5V, Voh=4.5V	Ioh			-450	μA
	Vcc=5V, Vol=0.5V	Iol	2.5			mA

Timing chart :

OUT-A
OUT-B



PRODUCT SPECIFICATION

DATE:03/08/2006

cosmo ELECTRONICS CORPORATION	Rambo IC : PS201L-2V-1	NO. 60S01002	REV. 2
		SHEET 3 OF 3	

Function Block Diagram

