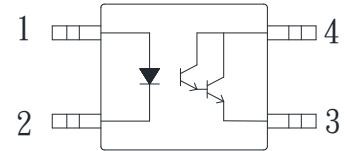


● Description

The KPC355NT series consist of a photodarlington optically coupled to a gallium arsenide infrared-emitting diodes in a 4-pin Mini-Flat package. The input-output isolation voltage is rated at 3750 Vrms.

● Schematic



1. Anode
2. Cathode
3. Emitter
4. Collector

● Features

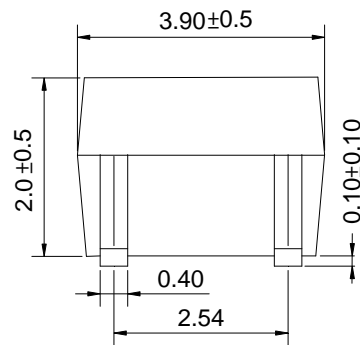
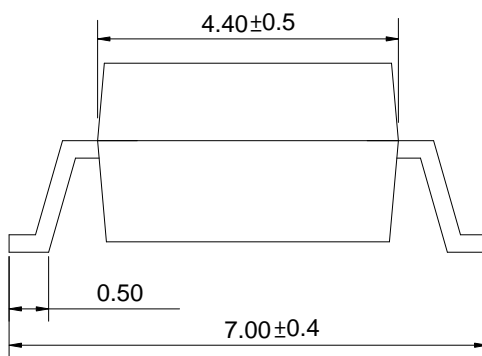
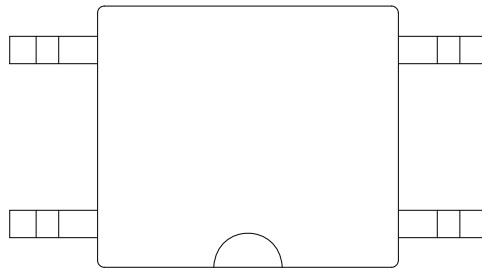
1. Pb free and RoHS compliant
2. High current transfer ratio
(CTR : Min.600% at $I_F = 1\text{mA}$, $V_{ce} = 2\text{V}$)
3. High isolation voltage between input and output
(Viso : 3750Vrms)
4. Mini-flat package: compact 4 pin SOP with a 2.0mm profile
5. MSL class 1
6. Agency Approvals:
 - UL Approved (No. E169586): UL1577
 - c-UL Approved (No. E169586)
 - VDE Approved (No. 40014684): DIN EN 60747-5-5
 - FIMKO Approved EN62368-1, EN60601-1
 - CQC Approved: GB8898-2011, GB4943.1-2011

● Applications

- System appliances, measuring instruments
- Industrial robots
- Copiers, automatic vending machines
- Signal transmission between circuits of different potentials and impedances
- Telephone sets
- Copiers, facsimiles
- Interface with various power supply circuits, power distribution boards
- Numerical control machines

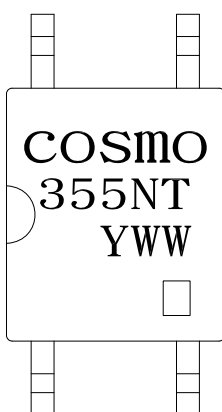
● **Outside Dimension**

Unit : mm



TOLERANCE : ±0.2mm

● **Device Marking**



Notes:

Cosmo

355NT

YWW

Y: Year code / WW: Week code



□: CTR rank

● Absolute Maximum Ratings

(Ta=25°C)

| Parameter | | Symbol | Rating | Unit |
|----------------------------------|-----------------------------|-----------|-------------|------|
| Input | Forward current | I_F | 50 | mA |
| | Peak forward current | I_{FM} | 1 | A |
| | Reverse voltage | V_R | 6 | V |
| | Power dissipation | P_D | 70 | mW |
| Output | Collector-Emitter voltage | V_{CEO} | 35 | V |
| | Emitter-Collector voltage | V_{ECO} | 5 | V |
| | Collector current | I_C | 150 | mA |
| | Collector power dissipation | P_C | 150 | mW |
| Total power dissipation | | P_{tot} | 170 | mW |
| Isolation voltage 1 minute | | V_{iso} | 3750 | Vrms |
| Operating temperature | | T_{opr} | -55 to +115 | °C |
| Storage temperature | | T_{stg} | -55 to +125 | °C |
| Soldering temperature 10 seconds | | T_{sol} | 260 | °C |

● Electro-optical Characteristics

(Ta=25°C)

| Parameter | | Symbol | Conditions | Min. | Typ. | Max. | Unit |
|--------------------------|------------------------------|---------------|-------------------------------------|--------------------|------|------|----------|
| Input | Forward voltage | V_F | $I_F=20mA$ | - | 1.2 | 1.4 | V |
| | Peak forward voltage | V_{FM} | $I_{FM}=0.5A$ | - | - | 3.5 | V |
| | Reverse current | I_R | $V_R=4V$ | - | - | 10 | uA |
| | Terminal capacitance | C_t | $V=0, f=1KHz$ | - | 30 | - | pF |
| Output | Collector dark current | I_{CEO} | $V_{CE}=10V, I_F=0$ | - | - | 1.0 | uA |
| Transfer characteristics | Current transfer ratio | CTR | $I_F=1mA, V_{CE}=2V$ | 600 | 1600 | 7500 | % |
| | Collector-Emitter saturation | $V_{CE}(sat)$ | $I_F=20mA, I_C=1mA$ | - | - | 1.0 | V |
| | Isolation resistance | Riso | DC500V | 5×10^{10} | - | - | Ω |
| | Floating capacitance | C_f | $V=0, f=1MHz$ | - | 0.6 | 1.0 | pF |
| | Cut-off frequency | f_c | $V_{CC}=5V, I_C=2mA, R_L=100\Omega$ | - | 7 | - | kHz |
| | Response time (Rise) | t_r | $V_{CE}=2V, I_C=2mA, R_L=100\Omega$ | - | 60 | 300 | us |
| | Response time (Fall) | t_f | | - | 53 | 250 | us |

Classification table of current transfer ratio is shown below.

| CTR RANK | CTR (%) |
|------------|---------|
| KPC355NT0E | Min.600 |

Fig.1 Current Transfer Ratio vs. Forward Current

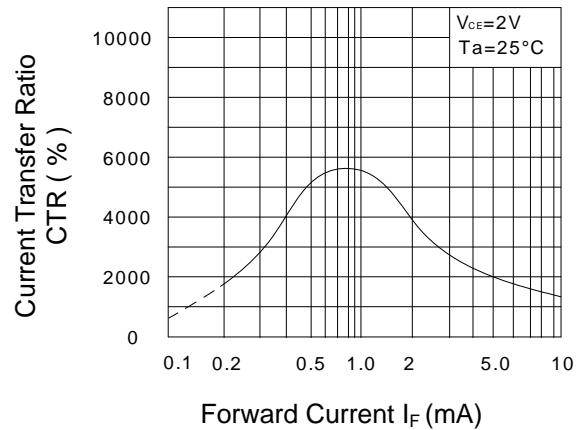


Fig.2 Collector Power Dissipation vs. Ambient Temperature

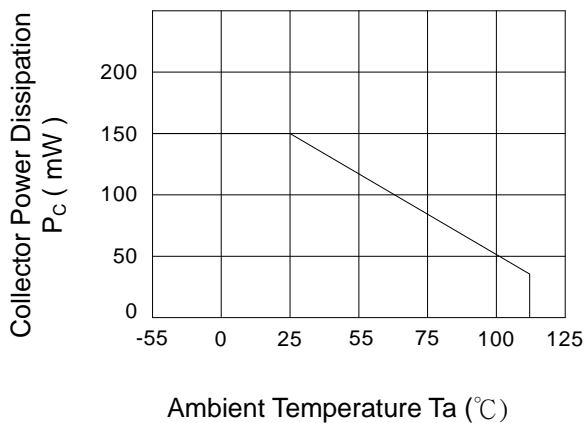


Fig.3 Collector Dark Current vs. Ambient Temperature

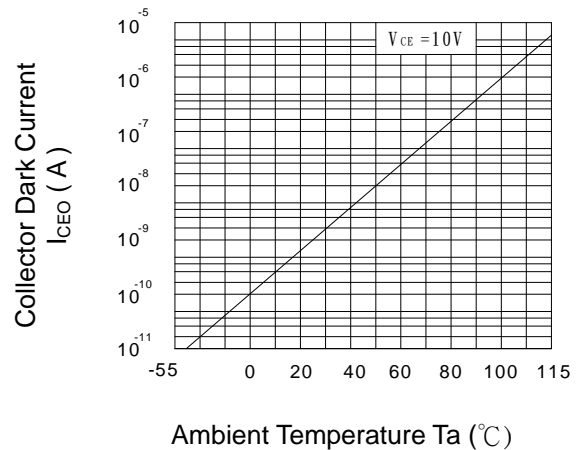


Fig.4 Forward Current vs. Ambient Temperature

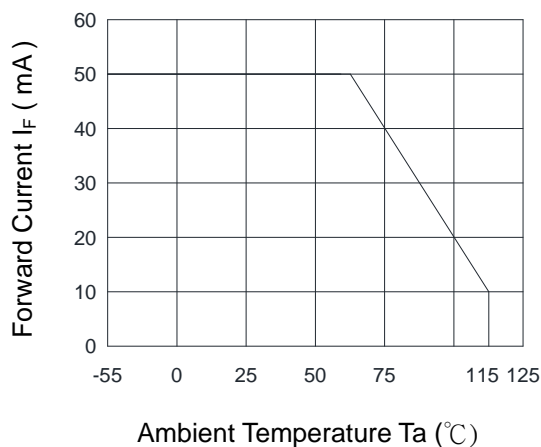


Fig.5 Forward Current vs. Forward Voltage

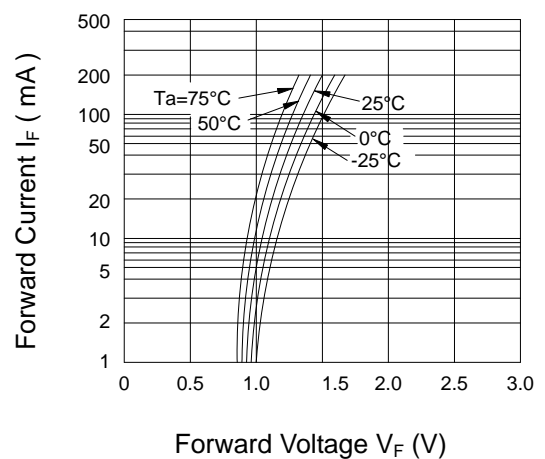


Fig.6 Collector Current vs. Collector-Emitter Voltage

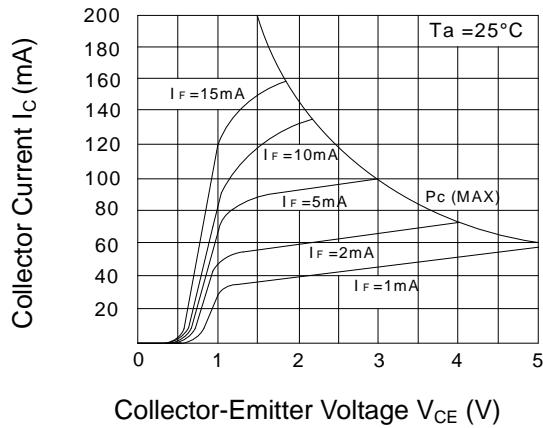


Fig.7 Relative Current Transfer Ratio vs. Ambient Temperature

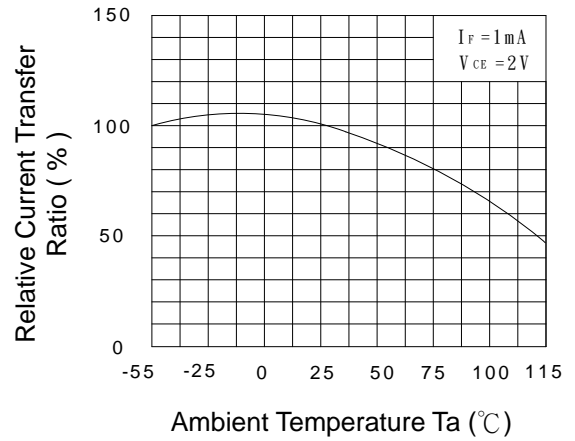


Fig.8 Collector-Emitter Saturation Voltage vs. Forward Current

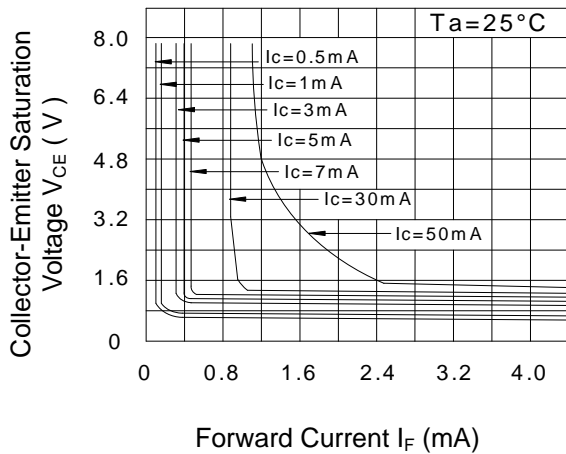
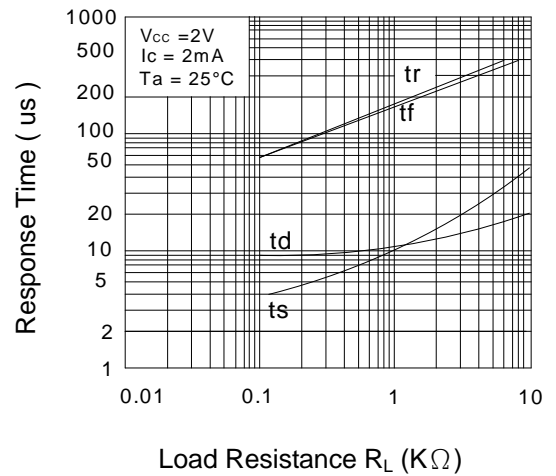
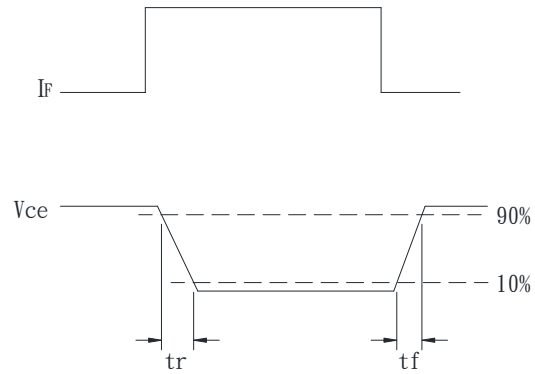
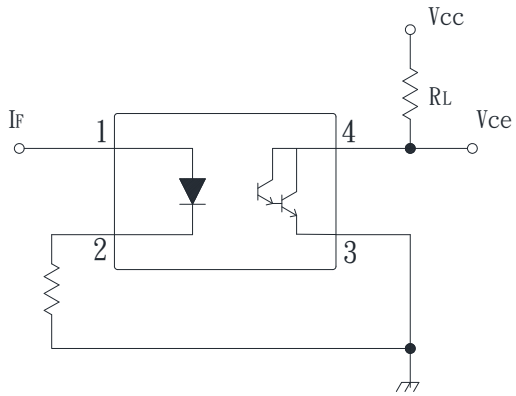


Fig.9 Response Time vs. Load Resistance



- **Test Circuit for Response Time**

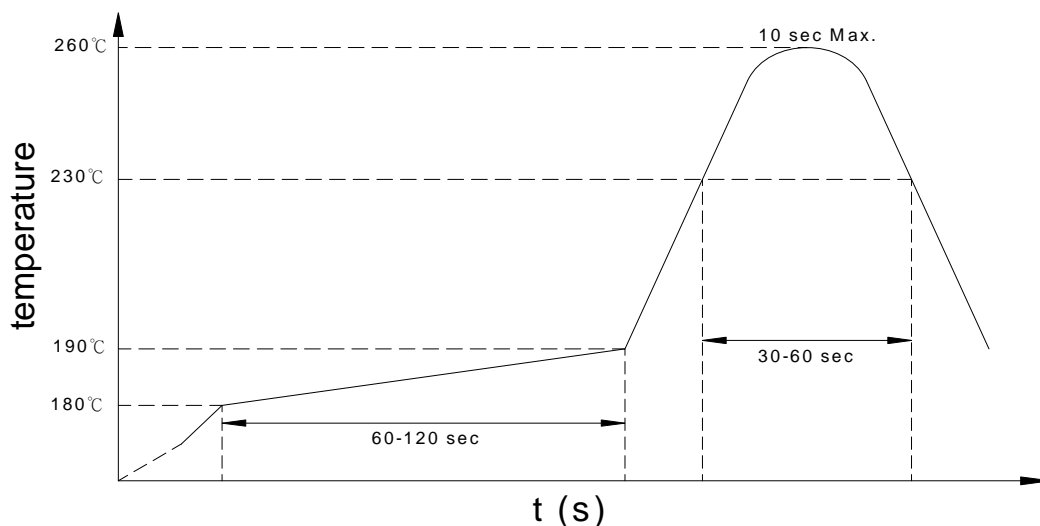


● Recommended Soldering Conditions

(a) Infrared reflow soldering :

- Peak reflow soldering : 260°C or below (package surface temperature)
- Time of peak reflow temperature : 10 sec
- Time of temperature higher than 230°C : 30-60 sec
- Time to preheat temperature from 180~190°C : 60-120 sec
- Time(s) of reflow : Two
- Flux : Rosin flux containing small amount of chlorine (The flux with a maximum chlorine content of 0.2 Wt% is recommended.)

Recommended Temperature Profile of Infrared Reflow



(b) Wave soldering :

- Temperature : 260°C or below (molten solder temperature)
- Time : 10 seconds or less
- Preheating conditions : 120°C or below (package surface temperature)
- Time(s) of reflow : One
- Flux : Rosin flux containing small amount of chlorine (The flux with a maximum chlorine content of 0.2 Wt% is recommended.)

(c) Cautions :

- Fluxes : Avoid removing the residual flux with freon-based and chlorine-based cleaning solvent.
- Avoid shorting between portion of frame and leads.

- **Numbering System**

KPC355NT Y (Z)

Notes:

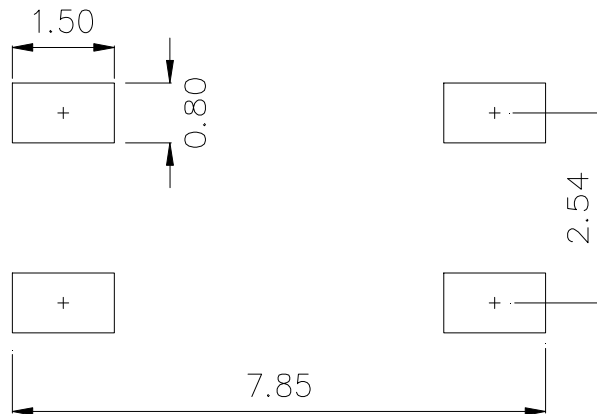
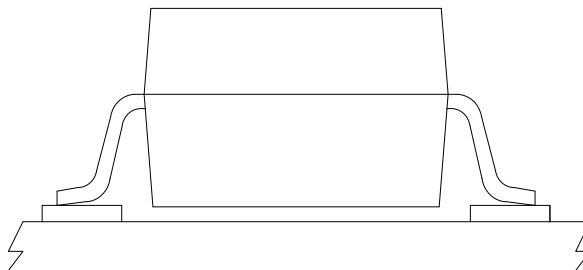
KPC355NT = Part No.

Y = CTR rank (E)

Z = Tape and reel option (TLD ∙ TRU)

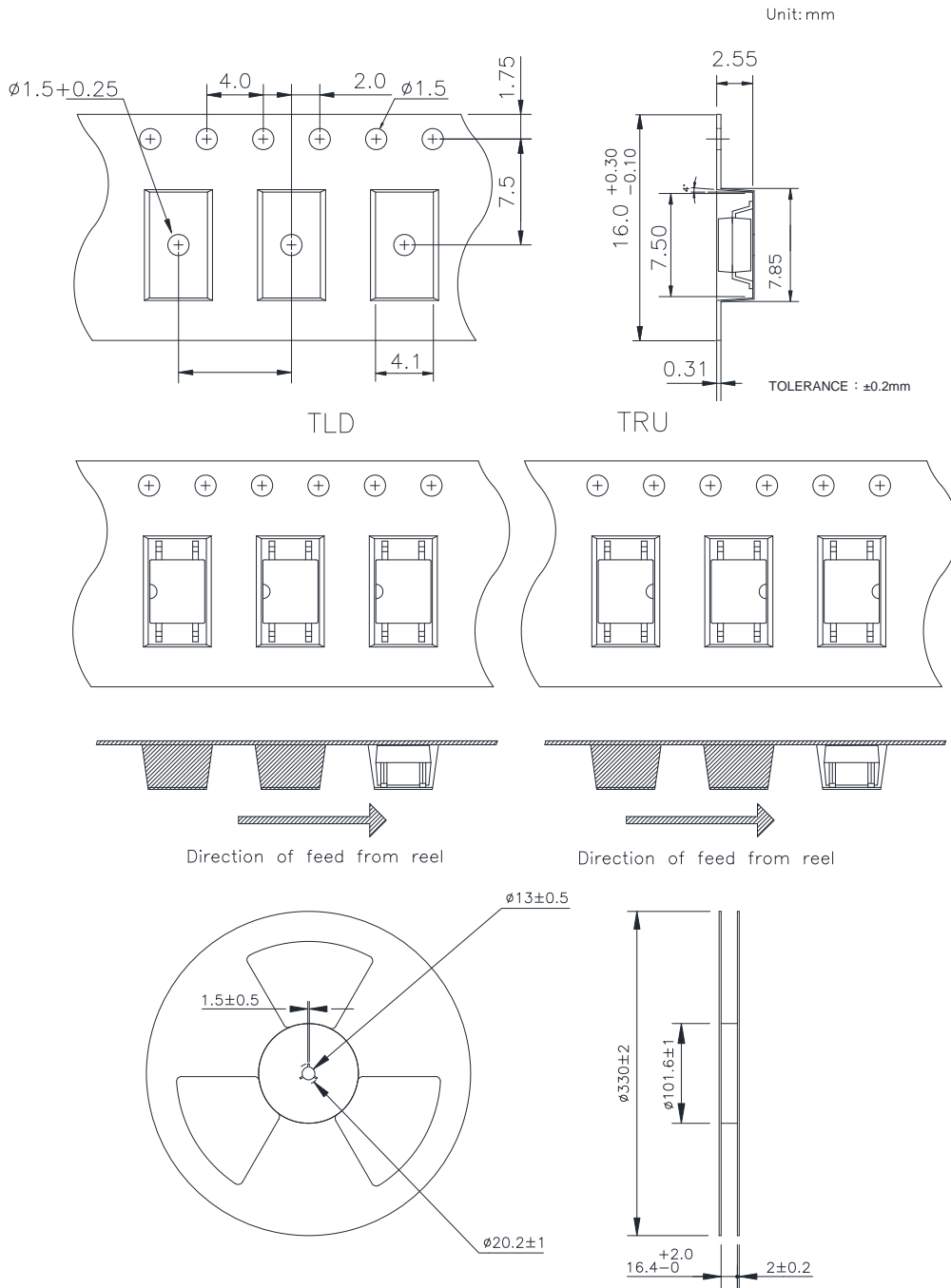
| Option | Description | Packing quantity |
|--------|------------------------|---------------------|
| (TLD) | TLD tape & reel option | 3000 units per reel |
| (TRU) | TRU tape & reel option | 3000 units per reel |

- **Recommended Pad Layout for Surface Mount Lead Form**



Unit : mm

- 4-pin Mini-Flat Carrier Tape & Reel





KPC355NT Series

4PIN MINI-FLAT PHOTODARLINGTON PHOTOCOUPLER

- **Application Notice**

The statements regarding the suitability of products for certain types of applications are based on cosmo's knowledge of general applications of cosmo products. Such statements are not binding statements about the suitability of products for a particular application. It is the customer's responsibility to verify the specifications are suitable for use in a particular application. Customers are solely responsible for all aspects of their own product design or applications. The parameters provided in the datasheet may vary in different applications and performance may vary over time. All operating parameters (including typical parameters) must be validated by customer's technical experts for different applications. cosmo assumes no liability for customer' product design or applications. Product specifications do not expand or otherwise change cosmo's terms and conditions of purchase, including but not limited to the warranty expressed therein.

When using cosmo products, please comply with safety standards and instructions. cosmo has no liability and responsibility to the damage caused by improper use of the instructions specified in the specifications.

cosmo products are designed for use in general electronic equipment such as telecommunications, office automation equipments, personal computers, test and measurement equipments, consumer electronics, industrial control, instrumentation, audio, video.

cosmo devices shall not be used in equipment that requires higher level of reliability and safety, such as nuclear power control equipment, telecommunication equipment(trunk lines), space application, medical and other life supporting equipments, and equipment for aircraft, military, automotive or any other application that can cause human injury or death.

cosmo reserves the right to change the specifications, data, characteristics, structure, materials and other contents at any time without notice. Please contact cosmo to obtain the latest specification.

cosmo disclaim any and all liability for any errors, inaccuracies or incompleteness contained in any datasheet or in any other disclosure relating to any product.